

Version	2.0	Date	4/5/18
Prepared By	JC		

**PRODUCT SPECIFICATION**

<b>Category</b>	Round High Bay
<b>Item Number</b>	7759
<b>Stock Code</b>	LED-FX11HBR90/110/850/IP65
<b>Mounting</b>	Ceiling
<b>Housing Color</b>	White



ELECTRICAL CHARACTERISTICS			
Rated Wattage (W)	90	Replacement Wattage (W)	400
Tested Wattage (W)	90		
Input Voltage (V)	120-277V	Surge Protect Level	4KV
Voltage Frequency (Hz)	50/60		
Input Current (A)	0.99	Dimmable	1-10V
Power Factor	>0.9	AUX (12V) Line	-
THD	<20%		

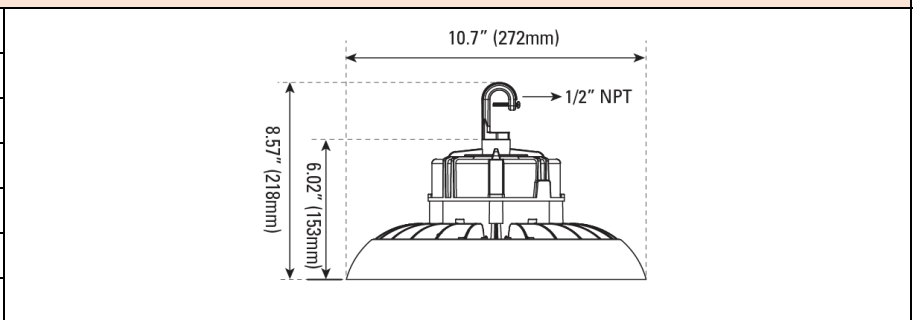
PHOTOMETRIC CHARACTERISTICS			
Lumen (lm)	13,631	CCT (K)	5000K
Efficacy (lm/w)	151	Beam Angle (°)	110°
CRI	>80		

GENERAL CHARACTERISTICS	
Operating Temperature (°F)	-22°F ~ 113°
Storage Temperature (°F)	-22°F ~ 140°
IP Rating	IP65
IK Rating	-
Rated Life (Hrs)	50,000
Warranty (Yrs)	5

ACCESSORIES		
Item #	Stock Code	Description

**PRODUCT DIMENSIONS**

Width- in / (mm)	10.70"	272
Height- in / (mm)	8.57"	218
Depth- in / (mm)	-	-
IK Rating	-	-
Weight (lbs)	6.91	
Mounting Height (ft)	-	
Cable Length (ft)	-	



CERTIFICATIONS			
UL/ETL	ETL	CEC	
NSF/ETL Sanitation	✓	JAB	
Energy Star		FCC	✓
DLC		RoHs	✓

DOCUMENTS			
LM79	✓	IES File	✓
LM80	✓	Dimmer List	

**COMMENTS**

--